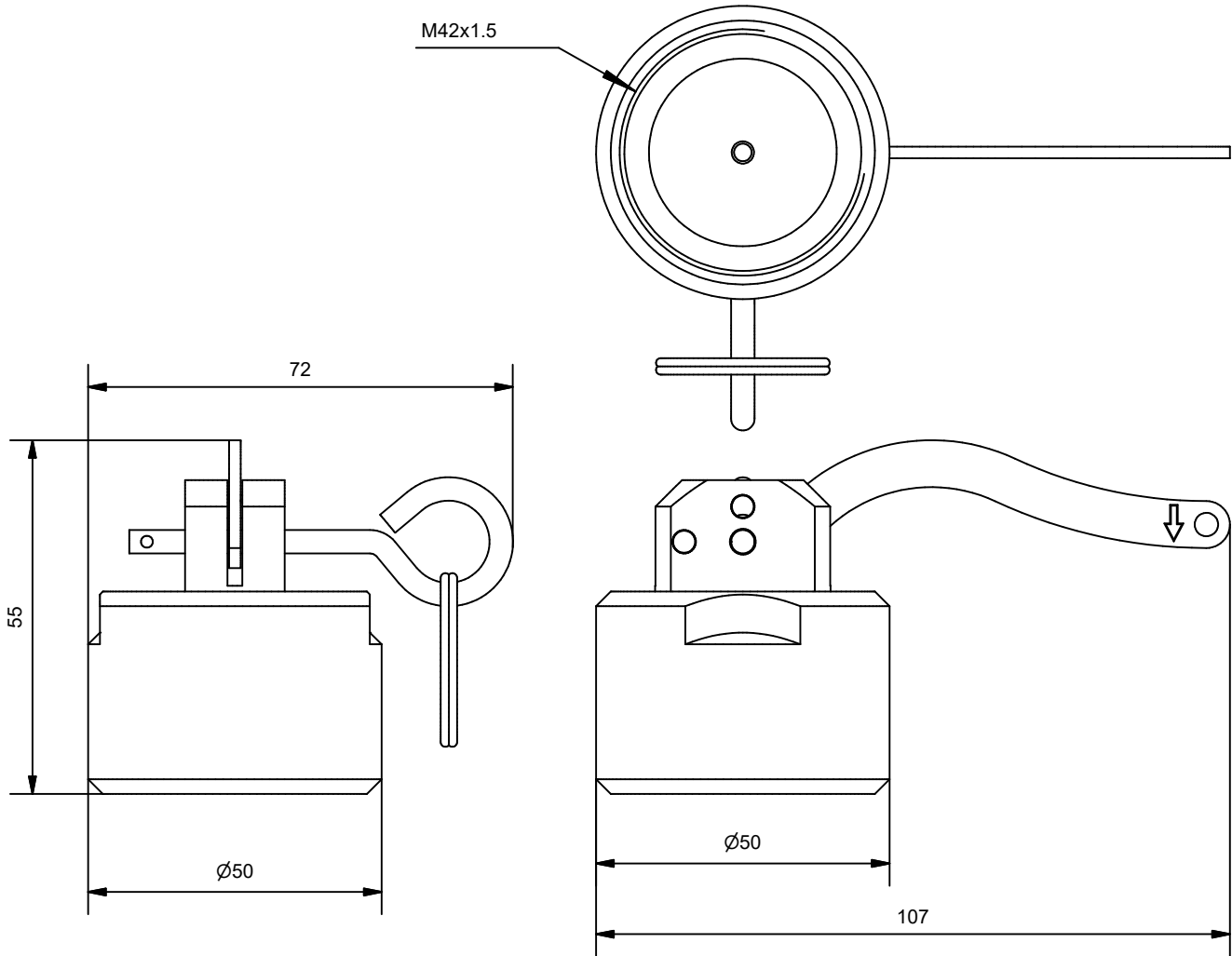
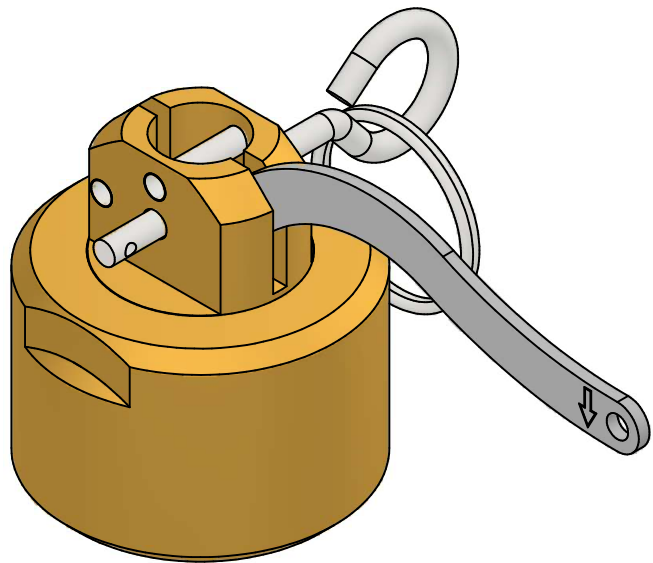


MANUAL LEVER
AEX-FKAM


Specifications	
Weight	0.4 Kg
Material	Brass
Strength of action	< 150 N
Tightening torque	50 Nm
Temperature	-20°C / +50°C



Description: Element used to manually produce the discharge of the cylinder or battery of cylinders. It has a safety pin to prevent unintentional actuation.

Sheet code:	Solution sheet:	Reference:	Drawn:	Date:	Revised:	Date:	Revision:	Format:
AEX-FTC-61-056	FK-5-1-12	AEX-FKAM	DCM	29-08-23	ENC	29-08-23	1.1	A4